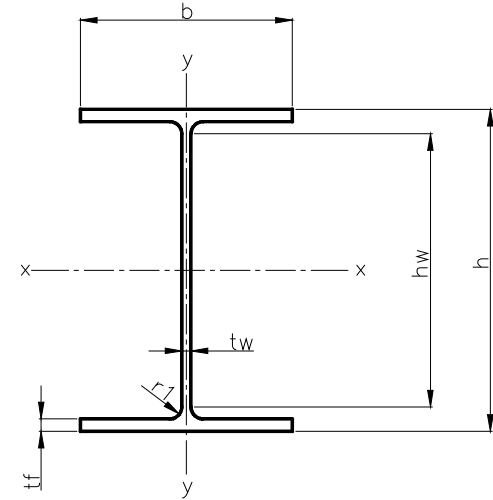


I-sections (parallel flange)



Designation mm x mm x kg/m	h mm	b mm	t_w mm	t_f mm	r1 mm	m kg/m	A 10^3 mm^2	I_x 10^6 mm^4	Zx 10^3 mm^3	rx mm	I_y 10^6 mm^4	Zy 10^3 mm^3	ry mm	J 10^3 mm^4	Cw 10^9 mm^4	Zplx 10^3 mm^3	Zply 10^3 mm^3	h/tf	hw mm
IPE-AA 100	97.6	55.0	3.6	4.5	7.0	6.72	.856	1.36	27.8	39.8	.126	4.57	12.1	7.33	.272	31.9	7.23	21.7	74.6
IPE 100	100.0	55.0	4.1	5.7	7.0	8.10	1.03	1.71	34.2	40.7	.159	5.79	12.4	12.1	.354	39.4	9.15	17.5	74.6
IPE-AA 120	117.0	64.0	3.8	4.8	7.0	8.36	1.06	2.44	41.7	47.9	.211	6.59	14.1	9.55	.663	47.6	10.4	24.4	93.4
IPE 120	120.0	64.0	4.4	6.3	7.0	10.4	1.32	3.18	53.0	49.0	.277	8.65	14.5	17.4	.894	60.7	13.6	19.0	93.4
IPE-AA 140	136.6	73.0	3.8	5.2	7.0	10.1	1.28	4.07	59.7	56.4	.338	9.27	16.3	12.0	1.46	67.6	14.5	26.3	112
IPE 140	140.0	73.0	4.7	6.9	7.0	12.9	1.64	5.41	77.3	57.4	.449	12.3	16.5	24.6	1.99	88.3	19.2	20.3	112
IPE-AA 160	156.4	82.0	4.0	5.6	9.0	12.3	1.57	6.59	84.3	64.8	.517	12.6	18.1	18.2	2.94	95.2	19.7	27.9	127
IPE 160	160.0	82.0	5.0	7.4	9.0	15.8	2.01	8.69	109	65.8	.683	16.7	18.4	36.2	3.98	124	26.1	21.6	127
IPE-AA 180	176.4	91.0	4.3	6.2	9.0	14.9	1.90	10.2	116	73.2	.781	17.2	20.3	24.9	5.66	130	26.7	28.5	146
IPE 180	180.0	91.0	5.3	8.0	9.0	18.8	2.39	13.2	146	74.2	1.01	22.2	20.5	48.1	7.46	166	34.6	22.5	146
IPE-AA 200	196.4	100.0	4.5	6.7	12.0	18.0	2.29	15.3	156	81.9	1.12	22.4	22.1	38.7	10.1	176	35.0	29.3	159
IPE 200	200.0	100.0	5.6	8.5	12.0	22.4	2.85	19.4	194	82.6	1.42	28.5	22.4	70.2	13.1	221	44.6	23.5	159
152x89x16	152.4	88.9	4.6	7.7	7.6	16.1	2.05	8.38	110	64.0	.904	20.3	21.0	36.1	4.73	124	31.4	19.8	122
178x102x19	177.8	101.6	4.7	7.9	7.6	19.0	2.42	13.6	153	74.9	1.38	27.2	23.9	43.8	9.98	171	41.9	22.5	147

Designation	h	b	tw	tf	r1	m	A	Ix	Zx	rx	Iy	Zy	ry	J	Ow	Zplx	Zply	h/ff	hw
mmxmmxkg/m	mm	mm	mm	mm	mm	kg/m	10 ³ mm ²	10 ⁹ mm ⁴	10 ³ mm ³	mm	10 ⁹ mm ⁴	10 ³ mm ³	mm	10 ³ mm ⁴	10 ³ mm ⁴	10 ³ mm ³	10 ³ mm ³		mm
203x133x25	203.2	133.4	5.8	7.8	7.6	25.3	3.22	23.5	231	85.4	3.09	46.3	31.0	62.1	29.5	259	71.2	26.1	172
203x133x30	206.8	133.8	6.3	9.6	7.6	29.8	3.80	28.9	279	87.2	3.84	57.4	31.8	103	37.3	313	88.0	21.5	172
254x146x31	251.5	146.1	6.1	8.6	7.6	31.3	3.99	44.3	352	105	4.48	61.3	33.5	88.2	66.0	395	94.2	29.2	219
254x146x37	256.0	146.4	6.4	10.9	7.6	37.2	4.74	55.5	433	108	5.71	78.0	34.7	155	85.7	485	119	23.5	219
254x146x43	259.6	147.3	7.3	12.7	7.6	43.2	5.50	65.5	505	109	6.77	92.0	35.1	242	103	568	141	20.4	219
305x102x25	304.8	101.6	5.8	6.8	7.6	24.5	3.12	43.6	286	118	1.19	23.5	19.6	48.0	26.5	336	37.8	44.8	276
305x102x29	308.9	101.9	6.1	8.9	7.6	28.6	3.64	54.4	352	122	1.58	30.9	20.8	78.3	35.5	408	49.2	34.7	276
305x102x33	312.7	102.4	6.6	10.8	7.6	32.8	4.18	65.0	416	125	1.94	37.9	21.5	123	44.2	481	60.0	29.0	276
305x165x41	303.8	165.1	6.1	10.2	8.9	40.5	5.16	85.5	563	129	7.66	92.8	38.5	149	165	626	142	29.8	266
305x165x46	307.1	165.7	6.7	11.8	8.9	46.1	5.88	99.3	647	130	8.96	108	39.0	223	195	722	166	26.0	266
305x165x54	310.9	166.8	7.7	13.7	8.9	53.5	6.82	117	752	131	10.6	127	39.4	345	234	843	195	22.7	266
356x171x45	352.0	171.0	6.9	9.7	10.2	44.8	5.70	121	686	146	8.10	94.7	37.7	160	237	773	146	36.3	312
356x171x51	355.6	171.5	7.3	11.5	10.2	50.7	6.46	142	796	148	9.68	113	38.7	238	287	895	174	30.9	312
356x171x57	358.6	172.1	8.0	13.0	10.2	56.7	7.22	161	896	149	11.1	129	39.1	334	330	1010	198	27.6	312
356x171x67	364.0	173.2	9.1	15.7	10.2	67.2	8.55	195	1070	151	13.6	157	39.9	560	413	1210	243	23.2	312
406x140x39	397.3	141.8	6.3	8.6	10.2	38.6	4.92	124	625	159	4.10	57.8	28.9	108	155	718	90.7	46.2	360
406x140x46	402.3	142.4	6.9	11.2	10.2	46.3	5.90	157	779	163	5.40	75.9	30.3	194	207	889	119	35.9	359
406x178x54	402.6	177.6	7.6	10.9	10.2	53.8	6.86	187	927	165	10.2	115	38.6	233	391	1050	178	36.9	360
406x178x60	406.4	177.8	7.8	12.8	10.2	59.7	7.61	215	1060	168	12.0	135	39.7	332	465	1200	209	31.7	360
406x178x67	409.4	178.8	8.8	14.3	10.2	67.1	8.55	243	1190	169	13.6	153	39.9	465	533	1350	237	28.6	360
406x178x75	412.8	179.7	9.7	16.0	10.2	74.8	9.53	274	1330	170	15.5	173	40.3	642	610	1510	268	25.8	360
457x191x67	453.6	189.9	8.5	12.7	10.2	67.1	8.55	294	1300	185	14.5	153	41.2	376	706	1470	237	35.7	408
457x191x75	457.2	190.5	9.1	14.5	10.2	74.7	9.51	334	1460	187	16.7	176	42.0	527	820	1660	273	31.5	408
457x191x82	460.2	191.3	9.9	16.0	10.2	82.0	10.5	371	1610	188	18.7	196	42.3	699	923	1830	304	28.8	408
457x191x90	463.6	192.0	10.6	17.7	10.2	89.7	11.4	411	1770	190	20.9	218	42.8	921	1040	2020	339	26.2	408
457x191x98	467.6	192.8	11.4	19.6	10.2	98.4	12.5	458	1960	191	23.5	243	43.3	1220	1180	2230	379	23.9	408
533x210x82	528.3	208.7	9.6	13.2	12.7	82.2	10.5	475	1800	213	20.0	192	43.8	527	1330	2060	300	40.0	476
533x210x93	533.1	209.3	10.2	15.6	12.7	92.5	11.8	553	2080	217	23.9	228	45.0	772	1600	2370	356	34.2	476
533x210x101	536.7	210.1	10.9	17.4	12.7	101	12.9	616	2300	218	27.0	257	45.7	1030	1820	2620	400	30.8	476
533x210x109	539.5	210.7	11.6	18.8	12.7	109	13.9	668	2480	219	29.4	279	46.0	1280	1990	2830	435	28.7	476
533x210x122	544.6	211.9	12.8	21.3	12.7	122	15.6	762	2800	221	33.9	320	46.6	1810	2320	3200	500	25.6	477