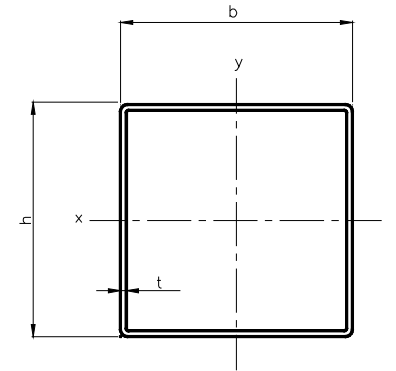


Square hollow sections



hxbxt mmxmmxmm	r1 mm	m kg/m	A 10^3 mm^2	I _x 10^6 mm^4	Z _x 10^3 mm^3	r _x mm	J 10^6 mm^4	Z _{pl} 10^3 mm^3
12.7x12.7x0.9		0.312	.039	.00087	0.14			
12.7x12.7x1.2		0.394	.050	.00104	0.16			
12.7x12.7x1.6		0.486	.062	.00117	0.18			
15.875x15.875x0.9		0.402	.051	.00184	0.23			
15.875x15.875x1.2		0.514	.065	.00223	0.28			
15.875x15.875x1.6		0.647	.082	.00261	0.33			
19.05x19.05x0.9		0.492	.062	.00333	0.35			
19.05x19.05x1.2		0.634	.080	.00411	0.43			
19.05x19.05x1.6		0.807	.102	.00492	0.52			
19.05x19.05x2.0		0.960	.122	.00551	0.58			
22.22x22.22x0.9		0.582	.073	.00545	0.49			
22.22x22.22x1.2		0.754	.096	.00681	0.61			
22.22x22.22x1.6		0.967	.123	.00830	0.75			
22.22x22.22x2.0		1.160	.147	.00946	0.85			
25x25x1.6		1.107	.140	.0123	0.98			
25x25x2.0		1.336	.169	.0142	1.14			
25x25x2.5		1.594	.202	.0160	1.28			
25x25x3.0		1.822	.231	.0172	1.38			

hxbxt mmxmmxmm	r1 mm	m kg/m	A 10^3 mm^2	I _x 10^6 mm^4	Z _x 10^3 mm^3	r _x mm	J 10^6 mm^4	Z _{pl} 10^3 mm^3
25.4x25.4x1.6		1.128	.143	.0130	1.02			
25.4x25.4x2.0		1.361	.173	.0150	1.18			
25.4x25.4x2.5		1.626	.206	.0169	1.33			
25.4x25.4x3.0		1.860	.236	.0183	1.44			
30x30x2.5		1.99	.254	.030	2.02	10.9	.054	2.53
30x30x3.0		2.30	.293	.033	2.22	10.7	.061	2.84
32x32x2.5		2.15	.274	.038	2.37	11.8	.066	2.93
32x32x3.0		2.49	.317	.042	2.61	11.5	.076	3.32
38x38x2.5		2.62	.334	.068	3.55	14.2	.116	4.33
38x38x3.0		3.05	.389	.076	3.99	14.0	.133	4.95
40x40x2.5		2.78	.354	.080	4.00	15.0	.136	4.86
40x40x3.0		3.24	.413	.090	4.51	14.8	.157	5.57
50x50x2.0		2.91	.370	.139	5.57	19.4	.227	6.58
50x50x2.5		3.56	.454	.166	6.64	19.1	.276	7.94
50x50x3.0		4.18	.533	.190	7.59	18.9	.322	9.19
50x50x3.5		4.78	.609	.211	8.43	18.6	.364	10.3
50x50x4.0		5.35	.681	.229	9.15	18.3	.403	11.4
50x50x4.5		5.88	.750	.244	9.77	18.0	.438	12.3

hxbxt	r1	m	A	Ix	Zx	rx	J	Zplx
mmxmmxmm	mm	kg/m	10 ³ mm ²	10 ⁸ mm ⁴	10 ³ mm ³	mm	10 ⁶ mm ⁴	10 ³ mm ³
60x60x2.5		4.35	.554	.299	9.95	23.2	.488	11.8
60x60x3.0		5.13	.653	.344	11.5	23.0	.573	13.7
60x60x3.5		5.88	.749	.386	12.9	22.7	.652	15.5
60x60x4.0		6.60	.841	.423	14.1	22.4	.727	17.2
60x60x5.0		7.96	1.01	.486	16.2	21.9	.860	20.2
76x76x3.0		6.63	.845	.736	19.4	29.5	1.20	22.8
76x76x3.5		7.64	.973	.832	21.9	29.2	1.37	26.0
76x76x4.0		8.61	1.10	.921	24.2	29.0	1.54	29.1
76x76x5.0		10.5	1.33	1.08	28.4	28.4	1.85	34.7
90x90x3.5		9.18	1.17	1.43	31.8	35.0	2.33	37.4
90x90x4.5		11.5	1.47	1.74	38.7	34.4	2.90	46.3
90x90x5.0		12.7	1.61	1.89	41.9	34.2	3.17	50.4
90x90x6.0		14.9	1.89	2.14	47.6	33.6	3.68	58.1
100x100x4.0		11.6	1.48	2.23	44.6	38.8	3.63	52.6
100x100x5.0		14.2	1.81	2.66	53.1	38.3	4.42	63.5
100x100x6.0		16.7	2.13	3.04	60.7	37.7	5.15	73.5
120x120x4.0		14.1	1.80	3.97	66.2	47.0	6.39	77.5
120x120x5.0		17.4	2.21	4.78	79.6	46.4	7.82	94.2
120x120x6.0		20.5	2.61	5.51	91.8	45.9	9.16	110
150x150x4.5		20.0	2.55	8.86	118	59.0	14.2	138
150x150x6.0		26.2	3.33	11.3	150	58.2	18.4	178
150x150x8.0		33.9	4.32	14.1	188	57.1	23.6	226
150x150x10.0		41.3	5.26	16.5	220	56.1	28.4	269

hxbxt	r1	m	A	Ix	Zx	rx	J	Zplx
mmxmmxmm	mm	kg/m	10 ³ mm ²	10 ⁸ mm ⁴	10 ³ mm ³	mm	10 ⁶ mm ⁴	10 ³ mm ³
180x180x4.5		24.3	3.09	15.7	174	71.2	24.8	202
180x180x6.0		31.8	4.05	20.1	223	70.5	32.4	262
180x180x8.0		41.5	5.28	25.5	283	69.4	41.9	336
180x180x10.0		50.7	6.46	30.2	335	68.4	50.7	404
200x200x4.5		27.1	3.45	21.7	217	79.4	34.2	251
200x200x6.0		35.6	4.53	28.0	280	78.6	44.8	327
200x200x8.0		46.5	5.92	35.7	357	77.6	58.2	421
200x200x10.0		57.0	7.26	42.5	425	76.5	70.7	508
225x225x4.5		30.6	3.90	31.3	278	89.6	49.0	320
225x225x6.0		40.3	5.13	40.5	360	88.8	64.3	418
225x225x8.0		52.8	6.72	51.8	461	87.8	83.8	541
225x225x10.0		64.8	8.26	62.2	553	86.8	102	656
250x250x4.5		34.1	4.35	43.3	347	99.8	67.5	398
250x250x6.0		45.0	5.73	56.2	450	99.0	88.7	521
250x250x8.0		59.1	7.52	72.3	578	98.0	116	676
250x250x10.0		72.7	9.26	87.1	697	97.0	142	822
270x270x6.0		48.8	6.21	71.4	529	107	112	611
270x270x8.0		64.1	8.16	92.1	682	106	147	795
270x270x10.0		78.9	10.1	111	824	105	180	969
300x300x10.0		88.4	11.3	155	1030	117	250	1210